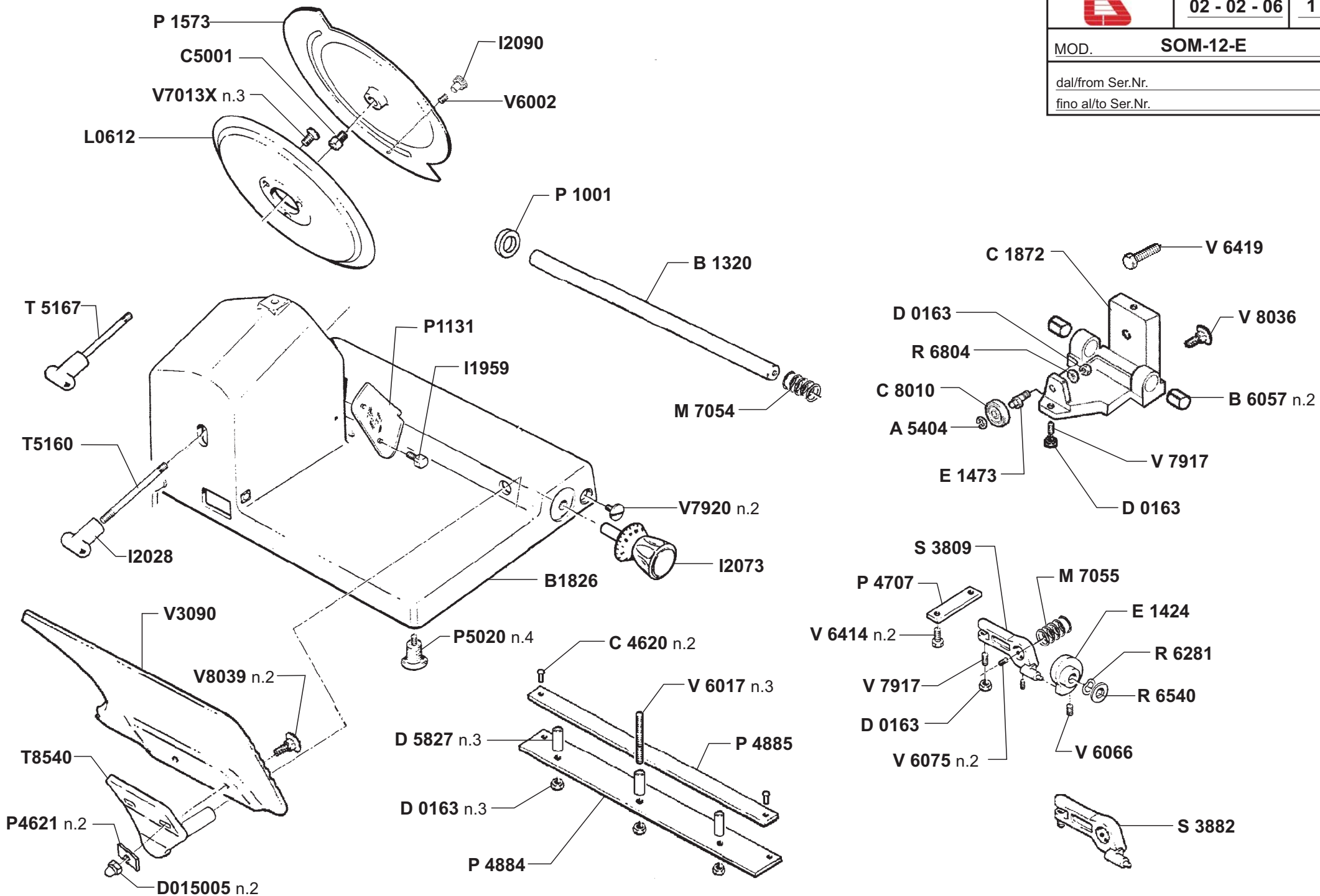


GRAVITY FEED SLICERS



SOM-12-E

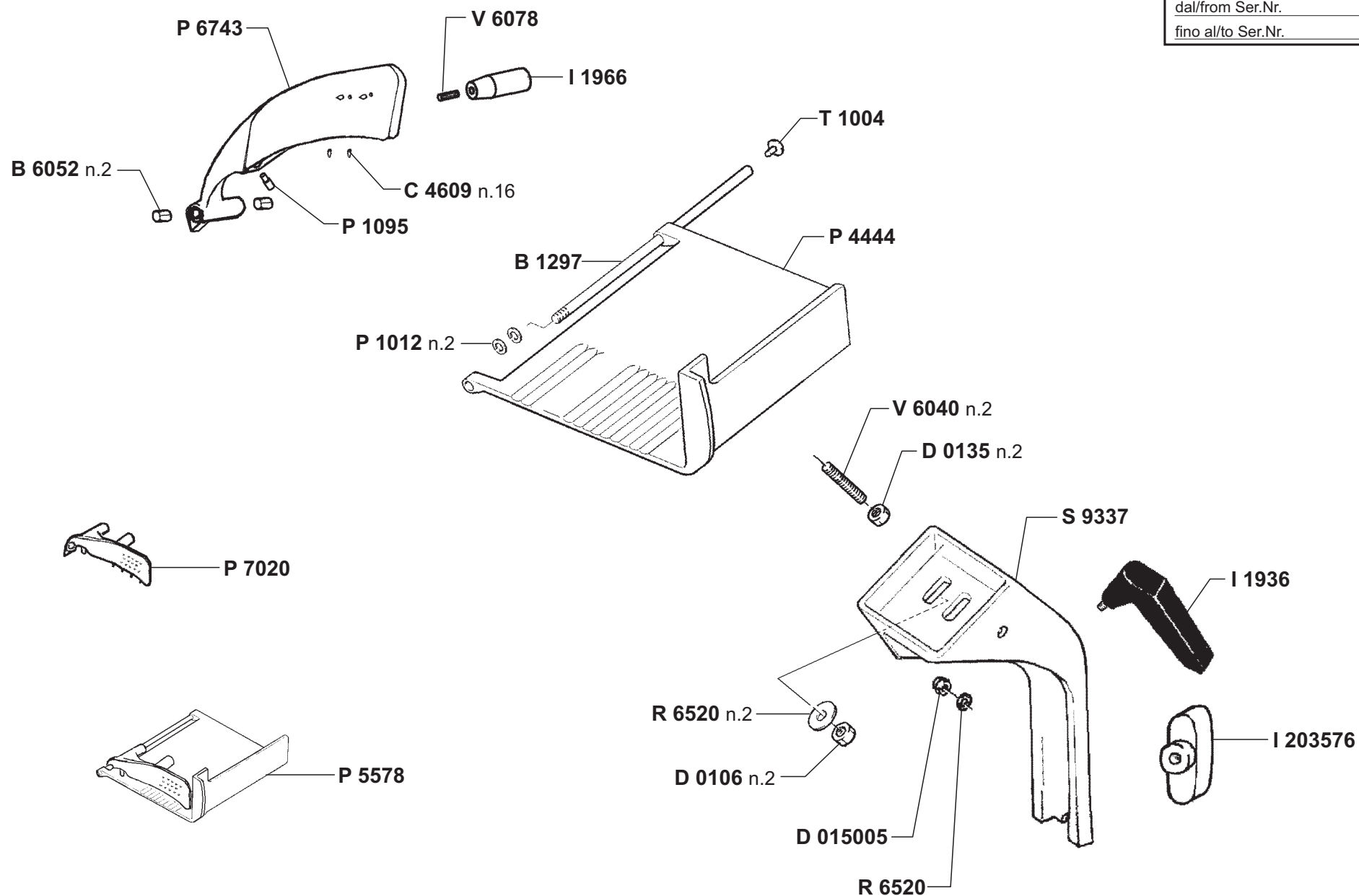
SPARE PARTS LIST





dal/from Ser.Nr.

fino al/to Ser.Nr.

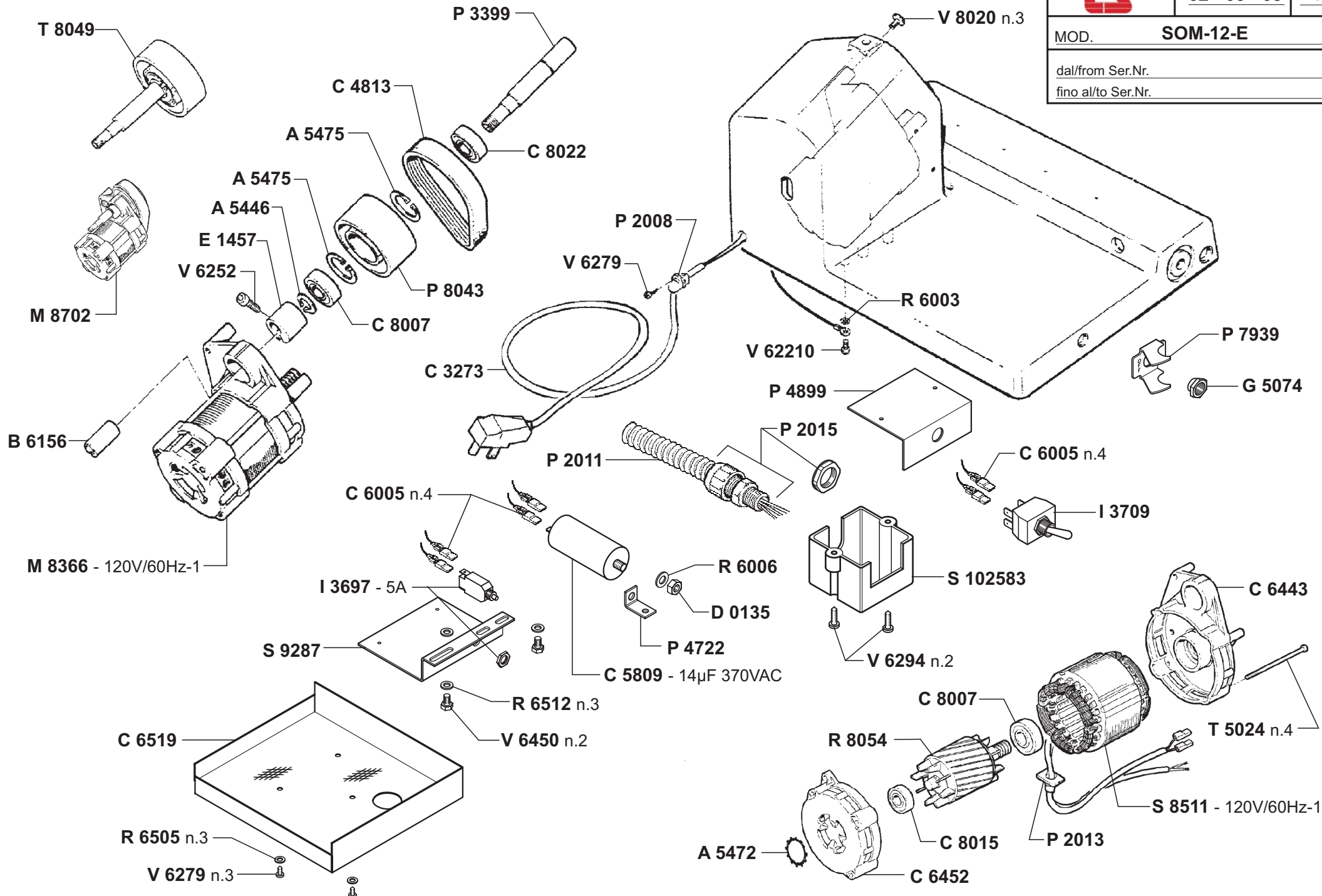


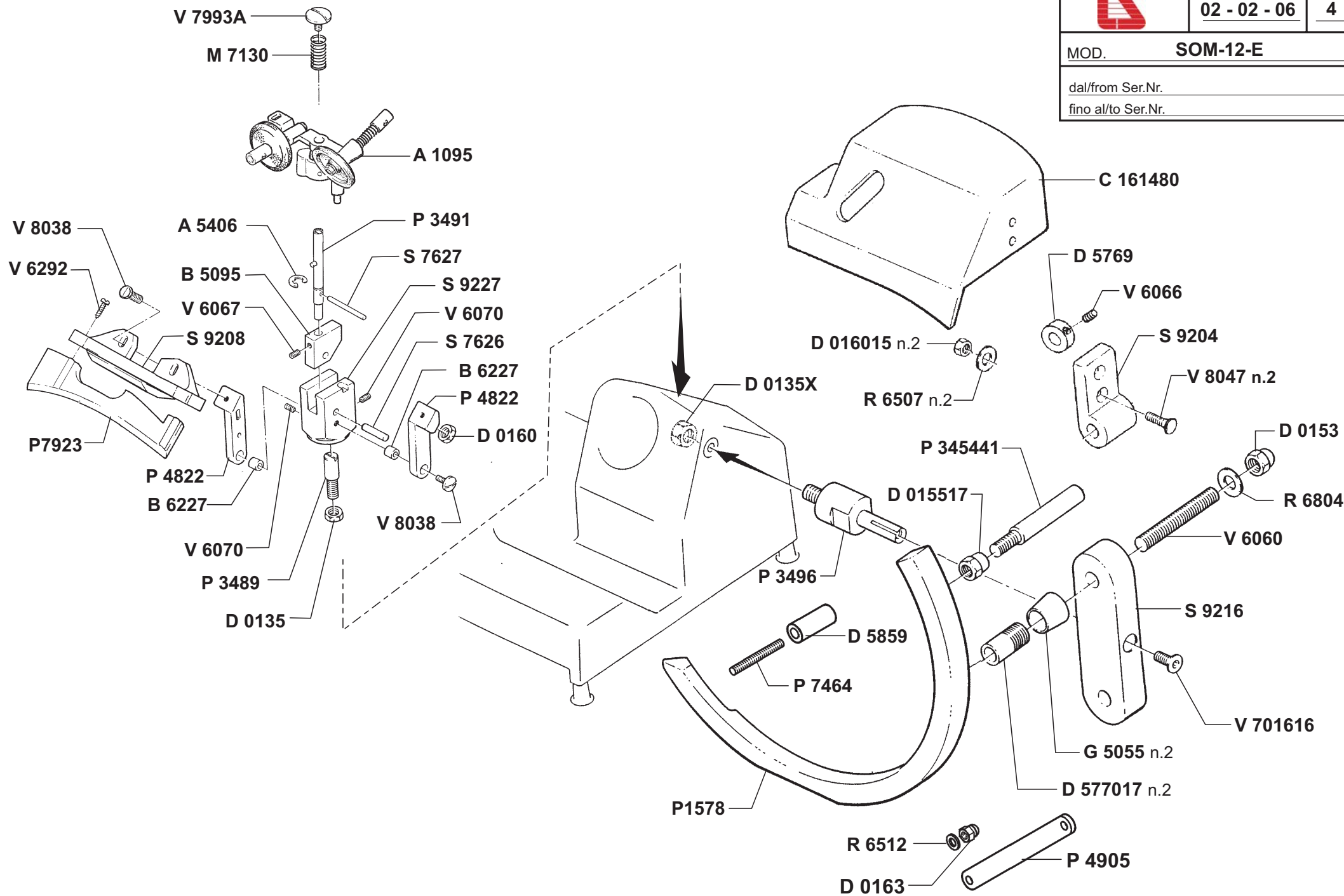


MOD. **SOM-12-E**

dal/from Ser.Nr. _____

fino al/to Ser.Nr. _____







16 - 07 - 99

1

MOD. **AFFILATOIO A1095**
SOM-12-E

dal/from Ser.Nr. _____
fino al/to Ser.Nr. _____

